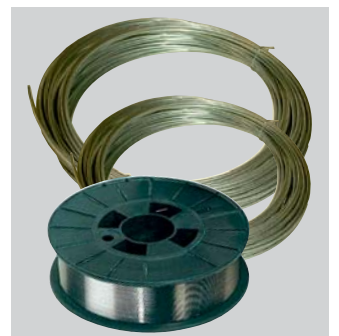


Electronically Controlled Pay-Off Unit for Wire (Spools and Bundles)



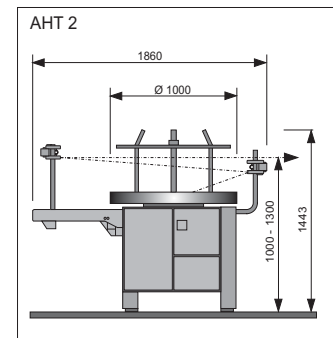
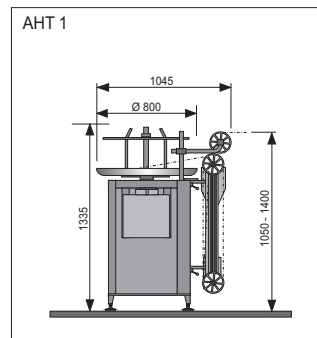
Series
AHT

AHT Series

▼ Wire deflection



▼ Installation plans



Design Features

- Pay-off unit available in 2 sizes
- Transport using either fork-lift or hand-lift truck
- Carrier plates for all standard wire coils and wire spools*
- Quick change from clockwise to counter-clockwise rotation*
- Centering stanchions with quick clamping mechanism*
- Exchange of control information with connected WAFIOS machine
- Safe emergency stop function

*not for AHT 1HS

Technical Data	AHT 1	AHT 1HS	AHT 2
Wire dia.: (mm)	0,1 – 1,0	0,12 – 0,8	0,2 – 3,0
Max. load capacity (kg)	150	150	500
Min. inner coil dia. (mm)	135	---	200
Max. outer coil dia. (mm)	700	760	900*
Max. coil height (mm)	250	300	400
Power (kW)	0,75	2,2	1,5
Maximum speed (rpm)	190	330	130
Carrier plate height (mm)	950	950	900

*1200 optional

Our Accomplishments for your Benefit

- Increased product quality by optimal interaction of machine and pay-off unit
- Enhanced performance due to reduced tooling times and higher machine dynamics
- Safety concept fulfills the most modern production standards

Type	AHT 1	AHT 1HS	AHT 2
Compression spring coiling machines			
FSE 15	X		
FUL 16		X	
FUL 26, F 2			X
FUL 36, F 3			X
Torsion spring coiling machines			
FMU 0.8	X		
FMU 16, FMU 25			X
FMK 2			X
FTU 1.5	X		
FTU 2.2B			X

WAFIOS AG
 Silberburgstraße 5
 72764 Reutlingen, Germany

Telefon +49 7121 146 - 0
 Fax +49 7121 491209
 sales@wafios.de www.wafios.com

Precision Machinery for Wire and Tube